

Name	OC-SENSOR io
Principle	Latex agglutination immuno-turbidimetry
Method	One step rate assay
Working Speed	88 tests / hour
Sample Rack	20 samples : 5 samples x 4 racks
Reaction Cuvette	Disposable acrylic cuvette 10 serial cell cuvette, Product Name 'DISPO-10'
Sampling System	Drawn up by sampling nozzle
Reagent Dispense	Drawn up by reagent nozzle
Mixing System	By spinning mixer
Thermostatic System	37°C Block Heater
Light Source	L.E.D. (wavelength 660nm)
Light Detector	Silicon Photodiode
Data Input	Color LCD touch panel (5.7 inches)
Memory Capacity	Sample: 5,000 tests, QC: 1,000 tests, Error: 1,000 tests
Data Output	Built-in thermal printer, RS-232C, USB
Barcodes	Sample barcode, Rack barcode
Power Required	AC100-240V 50/60Hz, 150VA
Dimension	W360 x D560 x H425 (mm) / 35kg

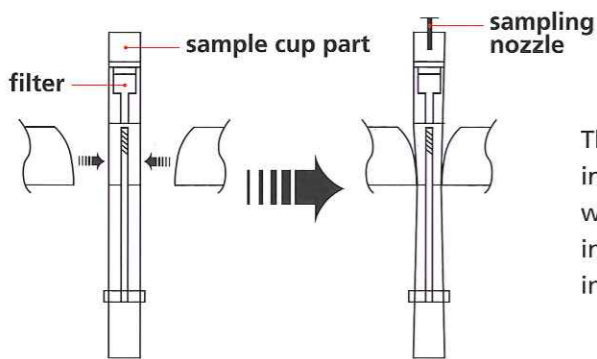


OC-Auto3 Latex Reagent / OC-Auto3 Buffer

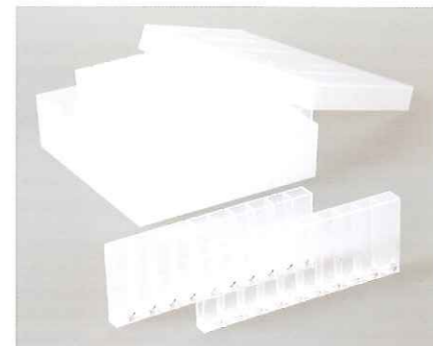


OC-Control LV1 / OC-Control LV2  
OC-Calibrator 2 kit

### SQUEEZE UP SYSTEM



The filtered sample goes into the sample cup part when squeezed by the instrument, then sampled into the reaction cuvette.



DISPO-10



- Before use, please see attached operation manual.
- Above specifications may change in order to improve machine performance without notice.



**MANUFACTURER**  **EIKEN CHEMICAL CO., LTD.**  
4-19-9, Taito, Taito-ku, Tokyo 110-8408, Japan  
<http://www.eiken.co.jp>

Vertrieb durch / distributed by:  
**Mast Diagnostica GmbH**  
Feldstraße 20  
DE-23858 Reinfeld  
Tel. +49 (0)4533 2007 0  
Fax +49 (0)4533 2007 68  
[mast@mast-diagnostics.de](mailto:mast@mast-diagnostics.de) / [www.mastgrp.com](http://www.mastgrp.com)

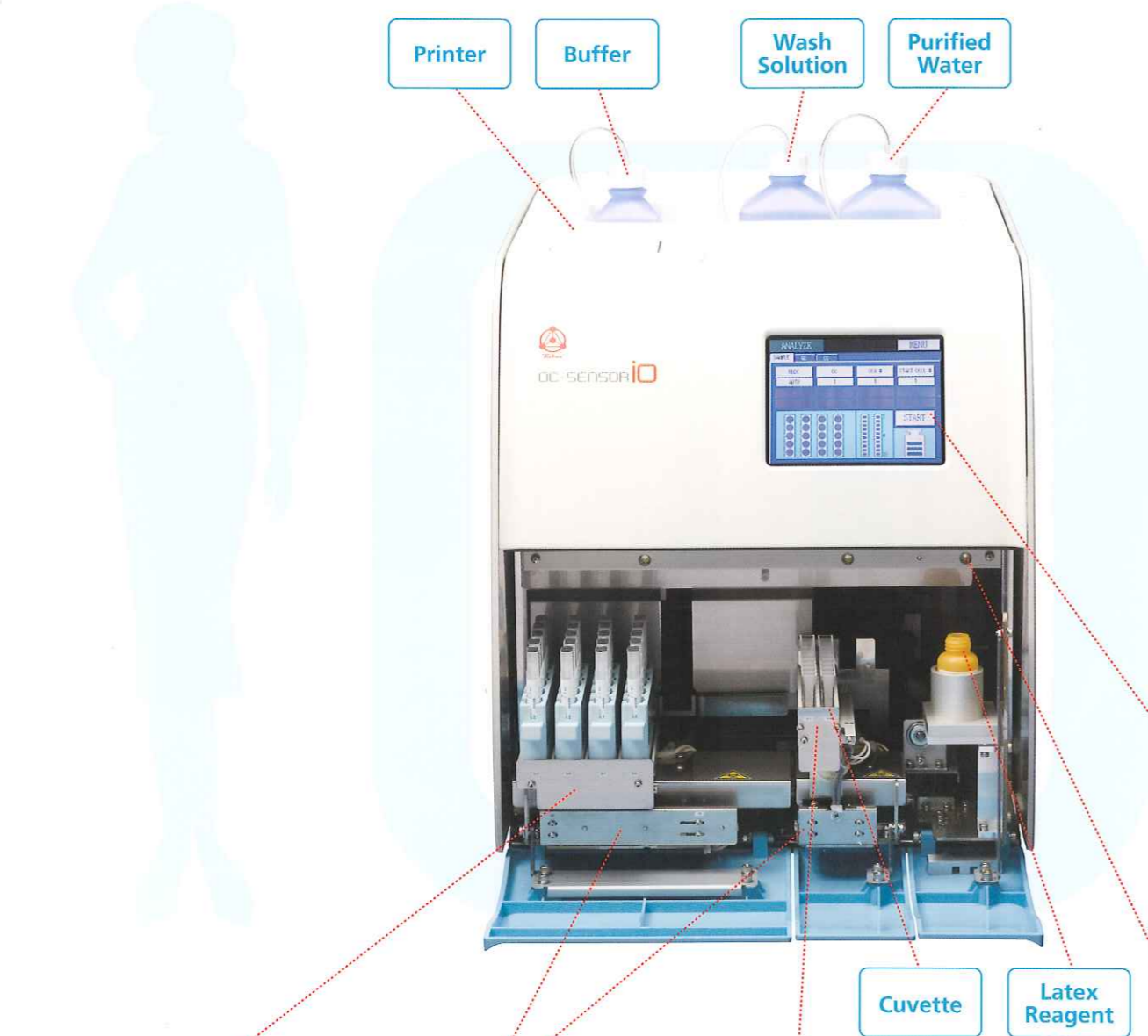


3034 AP20  
September, 2010

 **EIKEN CHEMICAL CO., LTD.**

EIKEN CHEMICAL developed the first generation of "OC-SENSOR" in 1989.  
Integrating all the accomplishments for more than 20 years,  
We triumphantly introduce "OC-SENSOR io".

## OPERATION PROCEDURE



Set the Sample racks.



Set the cuvettes (DISPO-10).



Set the Latex Reagent.

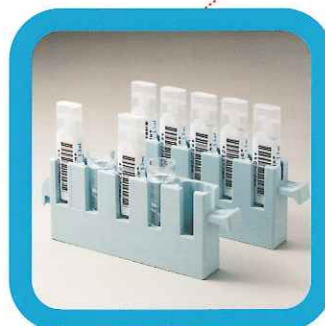
Press START to start analyzing.



The first test result will be printed out in 7 minutes.



OC-io	2010.08.02	Current date
*****		Calibration Curve No.
CC No.	1	SEQ No. (001-999)
001	001-01	Sample Rack No.
Y40MUU		Position No. in the rack
	28ng/mL	Flag (- / +)
002	001-02	Sample Barcode Number
T4KFEE		
	+ 345ng/mL	Concentration
003	001-03	Over Range (1001 over)
T7UESA		
	+OR2223ng/mL	Error Code
004	001-04	
	NO SMPL SOL	
005	001-05	
	- 0ng/mL	



5 samples for 1 rack.  
20 samples (4 racks)  
/ insert.



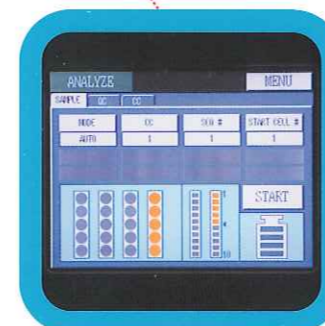
Continuous loading  
samples, latex reagent  
and buffer is available  
during analysis.



Mixing function for  
high reproducibility.



Push to open the cover.  
LED indicator for  
sample loading.



5.7 inches LCD touch  
panel

### Compact Body

W360 x D560 x H425 (mm) small size for small space.

### Simple Operation

Just press "START" to start analyzing.

### Continuous Loading

During analysis, continuous loading samples,  
latex reagent and buffer is available.

### High Throughput

88tests / hour